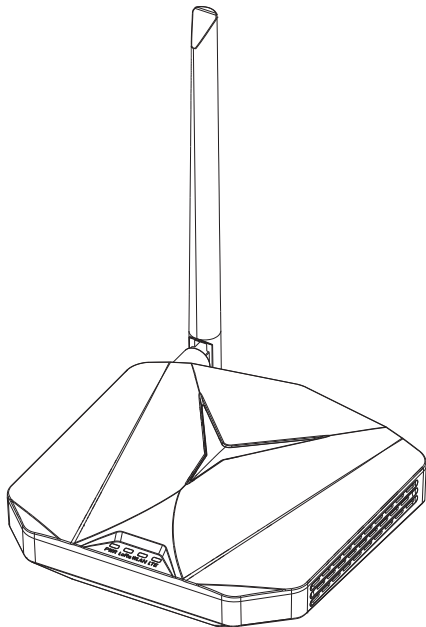


**ThinkNode**

**ThinkNode-G1**

Indoor Gateway For LoRaWAN

**User Manual**



# Table of Contents

<b>1. About ThinkNode-G1</b>	<b>1</b>
Part List	1
Specifications	2
Interface	3
Indicator	5
Connection	6
Button	7
<b>2. Quick Start</b>	<b>8</b>
Step 1. Set up ThinkNode-G1	8
Step 2. ThinkNode-G1 Internet Connection Configuration	12
(1) Setting up WiFi Connection Mode	12
(2) Gateway ETH Internet Connection Configuration	18
(3) Gateway LTE (4G) Internet Connection Configuration	20
<b>3. Customer Support</b>	<b>22</b>
<b>4. Manufacturers Address</b>	<b>22</b>

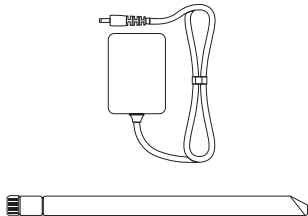
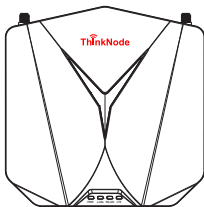
# About ThinkNode-G1

---

Thank you for selecting the ThinkNode-G1 for your impressive IoT project. This LoRaWAN indoor gateway is designed to connect to a diverse range of network servers, supporting both WiFi and Ethernet connections, as well as an optional LTE module for 3G/4G cellular network bridging. Utilizing LoRa wireless technology, the G1 gateway enables long-distance data transmission at low data rates.

## Part List

- ThinkNode-G1\*1
- Power Adapter(12V-2A)\*1
- LoRa Antenna(3dBi)\*1

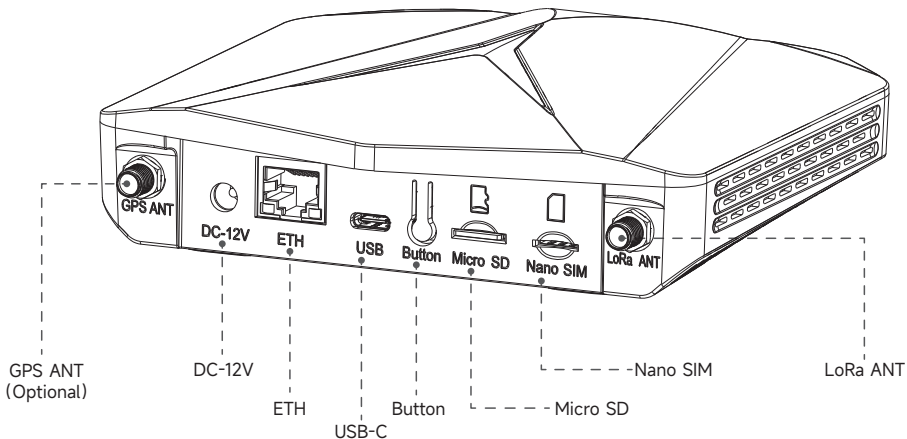


# Specifications

---

Processor	MT7628 (MIPS24KEc@580MHz)
RAM	DDR2 128MB
Flash	32M
LoRa Gateway Chip	SX1302 (8-Channel)
LoRa Sensitivity	-125dBm @125K/SF7, -139dBm @125K/SF12
LoRa TX power	Up to 26 dBm
WiFi	Support 2.4 GHz 802.11 b/g/h
Bluetooth	Dual-mode Bluetooth-BR /EDR+BLE5.0
LTE Cat(Optional)	Global Frequency Band (SIM7670)
Ethernet	RJ45 (10M / 100 M)
Antenna	LoRa: 3dBi External Antenna, Wi-Fi: Internal Antenna, BLE: Ceramic Antenna
Antenna Impedance	50 Ohm
LoRaWAN® Protocol	Supports Class A/Class B/Class C
Software (OpenWRT)	Supports Web UI for easy configuration and monitoring
Input Voltage	DC 12V-2A
Dimension	140*140*39mm
Operating Temperature	-20°C to 55°C
Installation Method	Wall Mounting

# Interface

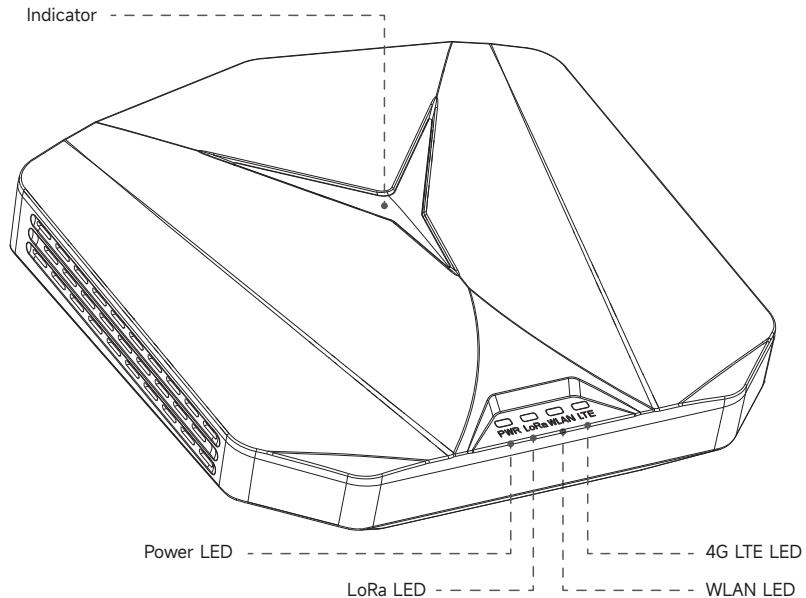


## ⚠ Note:

- SD and SIM cards are not hot-swappable. Always ensure the gateway is powered off before inserting or removing the SIM or SD card.
- Do not power the gateway without connecting the antenna, as this may damage the radio function.

# Interface

---



# Indicator

---

Mode		Description
Green	Solid	Operating normally, good internet connection.
	Slow Blink	Device/hotspot is starting up.
Blue	Solid	Device is ready to connect to the network and requires further configuration.
	Slow Blink	Configuration mode, will automatically exit if there is no activity in 5 minutes.
	Rapid Blink	Device reset indication, press the button for 20 seconds, the light will flash rapidly.
White	Slow Blink	Firmware update indication, do not disconnect the device from the internet.
Red	Solid	Hardware issue or internet connection failure.
White	Solid	Device currently only has factory firmware, will automatically update to the latest firmware when connected to the internet.

# Connection

---

Mode		Description
PWR	On	Device powered on.
	Off	Not connected to power.
LoRa	On	Connected to LoRa wireless network.
	Off	Not connected.
WLAN	On	Connected to WLAN Ethernet network.
	Off	Not connected.
LTE	On	Connected to 4G cellular network.
	Off	Not connected.

# Button

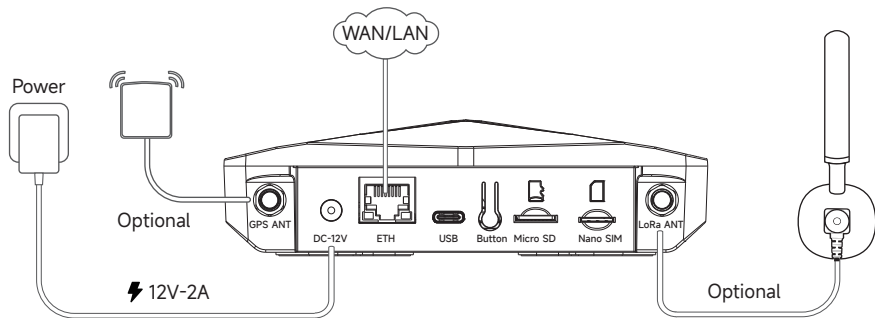
---

Mode	Description
Double Click	Software reboot.
Press for 5s	Slow blue light blink, entering configuration mode, will automatically exit if there is no activity in 5 minutes.
Press for 20s	Rapid blue light flash, triggering factory reset and software reboot.

# Quick Start

## Step 1. Set up ThinkNode-G1

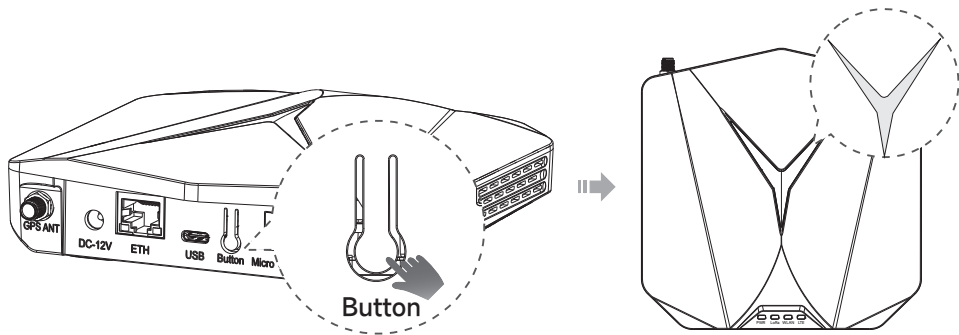
- Connect the antenna, power adapter, and Ethernet cable (not necessary) to the gateway, then turn on the power.
- The power LED turns green, then the top indicator flashes green after 15 seconds, indicating startup.
- After startup, the gateway's status indicator turns solid green if connected via Ethernet, or blue while awaiting Wi-Fi setup.



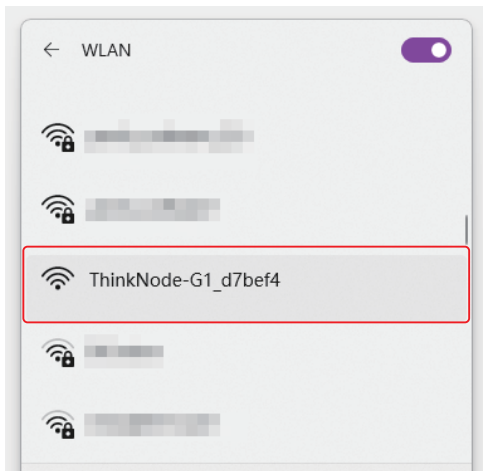
**⚠ Note:**

- Ensure that all antennas are connected before powering the gateway.
- LoRa antennas must be selected based on frequency bands, such as 868MHz or 915MHz; install the appropriate frequency band antenna for your region.

- Connect to power, then press and hold the gateway's setup button for 5 seconds to enter configuration mode. A slow blue flash indicates setup mode is active.



- Once in configuration mode, connect to the gateway's AP and log in to the Luci network configuration interface using a mobile device or a computer/laptop with a wireless network interface, connecting to the gateway AP- "**ThinkNode-G1\_XXXXXX**".



➤ Connect to the IP address assigned to the gateway via a browser, which defaults to **192.168.1.1**. You should see the login window as shown in the figure below. Click to access the URL and log in to the Luci network configuration interface.



**Username: root Password: root**

⏪ ⏩  🔍 ↗

### Authorization Required

Username

Password



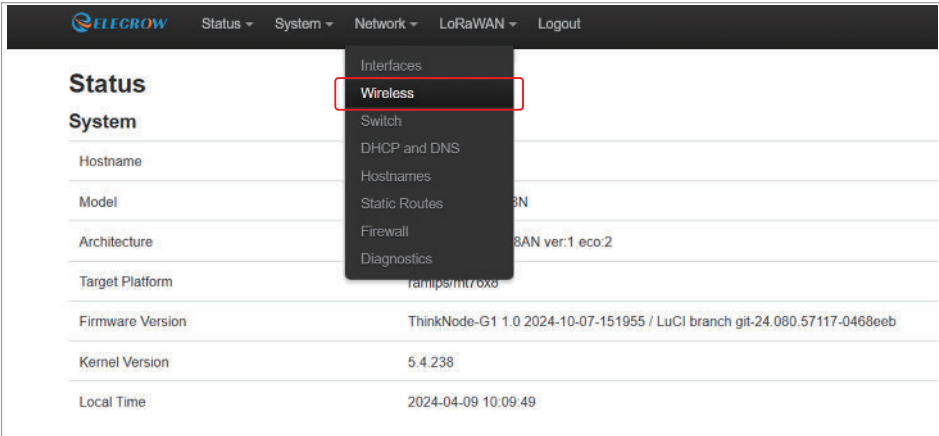
**Login**

## Step 2: ThinkNode-G1 Internet Connection Configuration

After entering the Luci interface, begin configuring the gateway's internet connection. There are three network configuration modes: WiFi, ETH, and LTE (4G).

### (1) Setting up WiFi Connection Mode

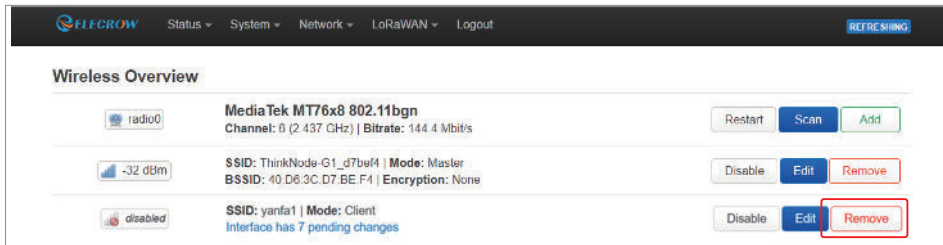
➤ Click on **Network** in the interface and select **Wireless**.



The screenshot shows the Luci web interface for the ThinkNode-G1 gateway. The top navigation bar includes the ELEGROW logo and menu items for Status, System, Network, LoRaWAN, and Logout. A dropdown menu is open under the Network tab, with the 'Wireless' option highlighted by a red rectangle. The main content area displays system information under the 'Status' and 'System' sections.

System Information	Value
Hostname	
Model	
Architecture	
Target Platform	rampsrmt70x8
Firmware Version	ThinkNode-G1 1.0 2024-10-07-151955 / Luci branch git-24.080.57117-0468eeb
Kernel Version	5.4.238
Local Time	2024-04-09 10:09:49

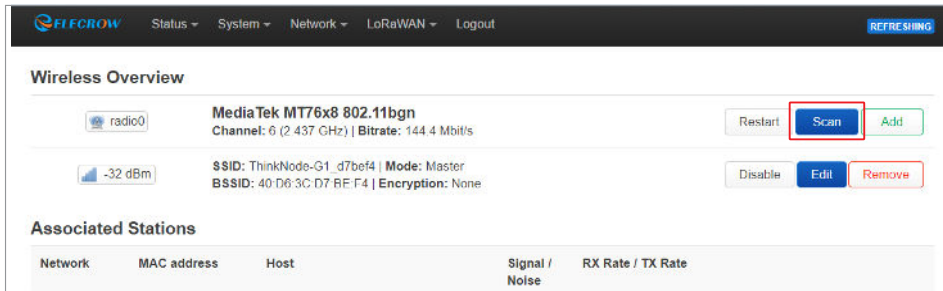
- Click **"Remove"** to delete the previous WiFi hotspot. (Skip this step if you haven't connected the device before.)



The screenshot shows the F1FCROW interface with a navigation bar (Status, System, Network, LoRaWAN, Logout) and a REFRESHING button. The main section is titled "Wireless Overview" and lists three radio interfaces:

- radio0**: MediaTek MT76x8 802.11bgn, Channel: 6 (2.437 GHz) | Bitrate: 144.4 Mbit/s. Buttons: Restart, Scan, Add.
- 32 dBm**: SSID: ThinkNode-G1\_d7bef4 | Mode: Master, BSSID: 40:D6:3C:D7:BE:F4 | Encryption: None. Buttons: Disable, Edit, Remove.
- disabled**: SSID: yanfa1 | Mode: Client, Interface has 7 pending changes. Buttons: Disable, Edit, Remove (highlighted with a red box).

- Click on the **"Scan"** option to select a new WiFi hotspot, click **"Join Network"**, enter the WiFi password, and submit.



The screenshot shows the F1FCROW interface with the same navigation bar and REFRESHING button. The "Wireless Overview" section is visible, with the "Scan" button for the first radio interface highlighted with a red box. Below this section is the "Associated Stations" section, which is currently empty.

Network	MAC address	Host	Signal / Noise	RX Rate / TX Rate
---------	-------------	------	----------------	-------------------

## Join Network: Wireless Scan

Signal	SSID	Channel	Mode	BSSID	Encryption	
-24 dBm	papier	1	Master	42:00:00:00:00:00	WPA2 PSK (CCMP)	Join Network
-13 dBm	yanfa1	2	Master	42:00:00:00:00:00	mixed WPA/WPA2 PSK (TKIP, CCMP)	Join Network
-45 dBm	CMCC-dDC6	6	Master	42:00:00:00:00:00	mixed WPA/WPA2 PSK (CCMP)	Join Network
-45 dBm	CMCC-Trkq	11	Master	42:00:00:00:00:00	mixed WPA/WPA2 PSK (CCMP)	Join Network
-45 dBm	hidden	11	Master	42:00:00:00:00:00	mixed WPA/WPA2 PSK (CCMP)	Join Network

## Joining Network: "yanfa1"

Replace wireless configuration 

1 Check this option to delete the existing networks from this radio.

Name of the new network

wlan

1 The allowed characters are: a-z, 0-9, -, \_ and .

WPA passphrase

LUV,I thinkNodeG!

1 Specify the secret encryption key here.

Lock to BSSID

1 Instead of joining any network with a matching SSID, only connect to the BSSID: 42:00:00:00:00:00.

Create / Assign firewall zone

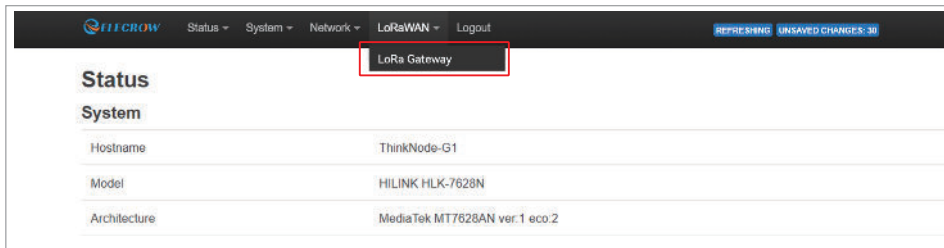
wan wlan wan6

1 Choose the firewall zone you want to assign to this interface. Select unassociated to remove the interface from the associated zone or fill out the custom field to define a new zone and attach the interface to it.

Cancel

Submit

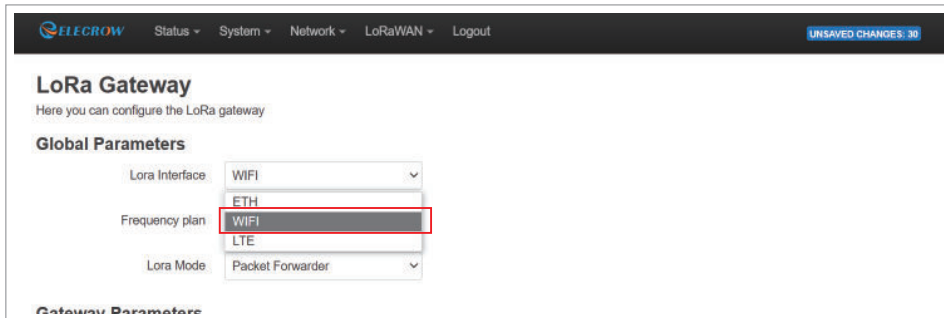
- Return to the Luci start interface, select the **LoRa Gateway** in the LoRaWAN dropdown menu to enter the gateway configuration interface.



The screenshot shows the Luci web interface. At the top, there is a navigation bar with the ELECROW logo and menu items: Status, System, Network, LoRaWAN, and Logout. The LoRaWAN menu is open, and the 'LoRa Gateway' option is highlighted with a red box. Below the navigation bar, there are sections for 'Status' and 'System'. The 'System' section contains a table with the following information:

Hostname	ThinkNode-G1
Model	HILINK HLK-7628N
Architecture	MediaTek MT7628AN ver:1 eco:2

- Choose the **WiFi** option.



The screenshot shows the 'LoRa Gateway' configuration page. The title is 'LoRa Gateway' and the subtitle is 'Here you can configure the LoRa gateway'. Under the 'Global Parameters' section, there are three dropdown menus:

- Lora Interface: WiFi
- Frequency plan: WiFi (highlighted with a red box)
- Lora Mode: Packet Forwarder

The 'Gateway Parameters' section is partially visible at the bottom.

- Select the LoRa gateway frequency band, choose either 868MHz or 915MHz based on the product.

### LoRa Gateway

Here you can configure the LoRa gateway

#### Global Parameters

Lora Interface

Frequency plan

Lora Mode

- Enter the gateway ID, which needs to be registered on the TTN server website.

### Gateway Parameters

[General Settings](#) [Forward Rules](#) [Basics Station](#)

Gateway ID

[?](#) Gateway ID size must be 16

Server Address

- Use the default settings for all other configurations.

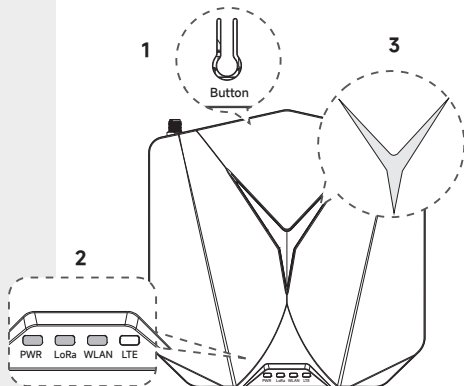
➤ Click **"Save & Apply"**, then exit the Luci website and wait for the gateway to restart.

Server Port (Down)	<input type="text" value="1700"/>
Keep Alive Interval	<input type="text" value="10"/>
Push Timeout	<input type="text" value="100"/>



**Note:**

- 1. Quickly press the gateway's side setup button twice to restart the gateway!
- 2. Wait until the "WLAN" and "LoRa" green lights illuminate and the middle status light turns solid green on the gateway, confirming successful network configuration and normal operation.
- 3. The normal operation LED light status is with the WLAN and LoRa indicator lights on, and the middle large status light solid green.

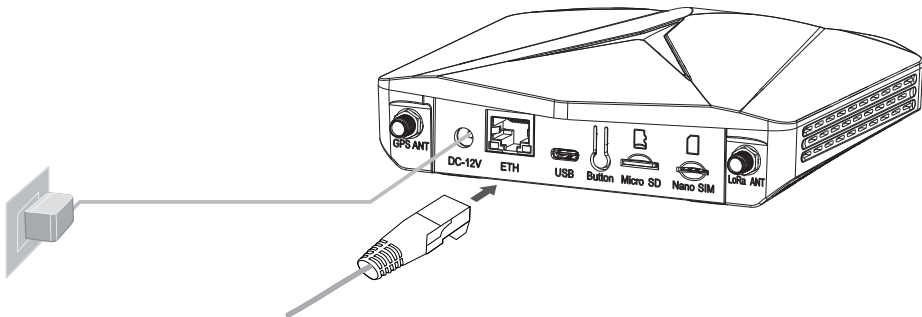


## (2) Gateway ETH Internet Connection Configuration

You will need to connect an Ethernet cable to the gateway's side port, then press and hold the setup button for 5 seconds to connect to the AP and log in to the Luci interface.

Since the WiFi network is not used, there is no need to enter the Network settings for WiFi; this step can be skipped directly. Go to the initial interface's LoRaWAN dropdown menu and select LoRa Gateway to enter the gateway configuration interface. Choose the ETH connection method, save the settings, exit Luci, and wait for the gateway to restart.

➤ After connecting the Ethernet cable, press and hold the setup button for 5 seconds to put the gateway into configuration mode.



- Log in to the Luci interface, select the LoRa Gateway in the LoRaWAN dropdown menu to enter the gateway configuration interface, and choose the ETH internet connection method.

**LoRa Gateway**  
Here you can configure the LoRa gateway

**Global Parameters**

Lora Interface

Frequency plan

Lora Mode

ETH

ETH

WIFI

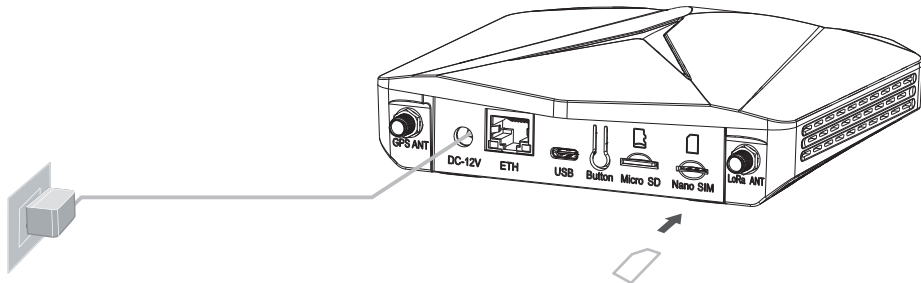
LTE

Packet Forwarder

- Click **"Save & Apply"**, then exit the Luci website and wait for the gateway to restart. After the restart, if the "WLAN", "LoRa" indicator lights and the middle status light are solid green, it indicates that the gateway has been set up successfully and is running normally.

### (3) Gateway LTE (4G) Internet Connection Configuration

To use the 4G network for internet connection, insert 4G SIM Card into the SIM card slot on the side of the gateway.

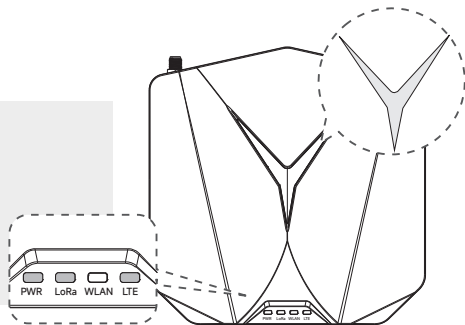


- Refer to the configuration steps in (1) and (2), in the initial interface of Luci, select the LoRa Gateway in the LoRaWAN dropdown menu to enter the gateway configuration interface, choose the LTE internet connection method, save the settings, exit Luci, and wait for the gateway to restart.



**Note:**

- When the gateway is using the 4G network and operating normally, the LTE indicator light on the gateway will flash, the LoRa indicator light will be solid, and the status indicator light will be solid.



## Customer Support

---

If you have any questions, customer support is always standing by.



info@elecrow.com



techsupport@elecrow.com

For more technical details, please visit the relevant webpage:

<https://www.elecrow.com/thinknode-g1-indoor-8-channels-lorawan-gateway-powered-by-sx1302-chip.html>

## Manufacturers Address

---

5th Floor, Fengze Building B, Nanchang Huafeng Industrial Park, Baoan District, Shenzhen, China.