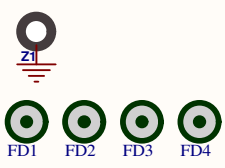
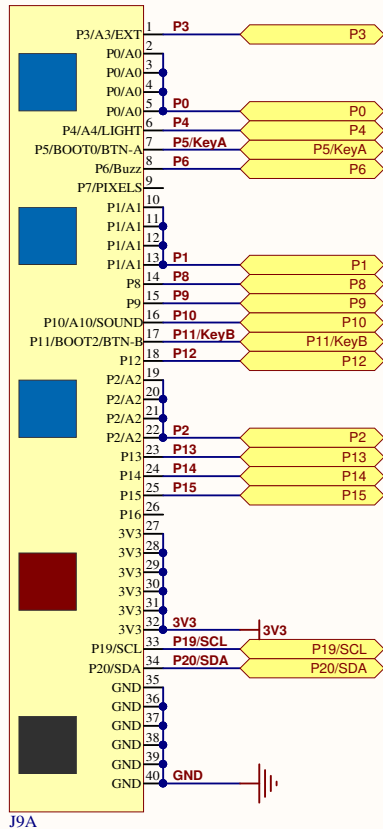


Strapping	
GPIO	Default
0	Pull UP
3	N/A
45	Pull Down
46	Pull Down

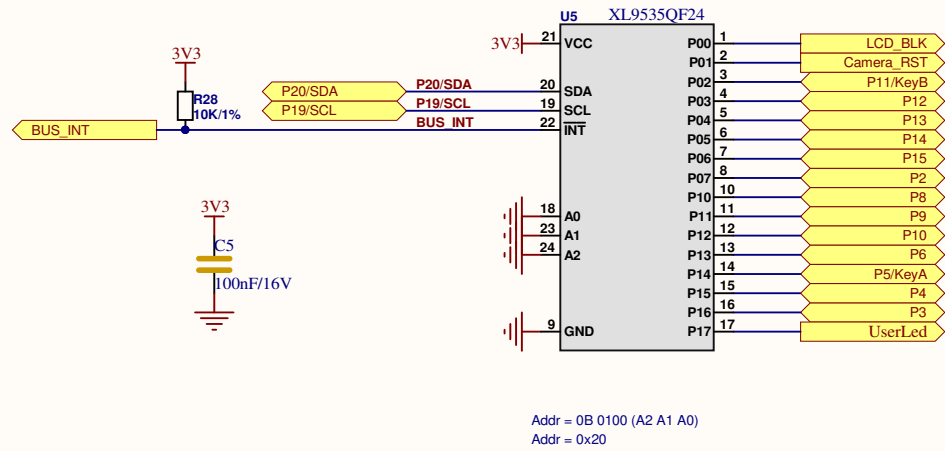




J9A



Title: Micro Bit Connect	Code:
Drawn: lfwag-CD	Revision: V1.0
Page: 2 of 11	Size: A4
Date: 2025/2/13	Time: 13:41:18



1

2

3

4

A

A

B

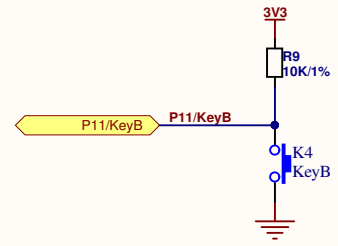
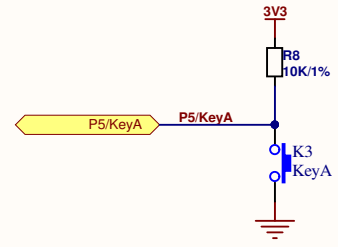
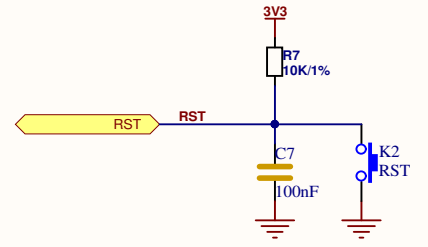
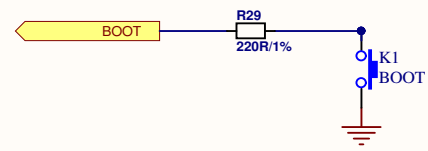
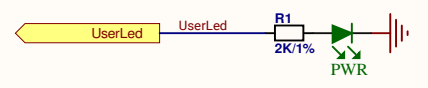
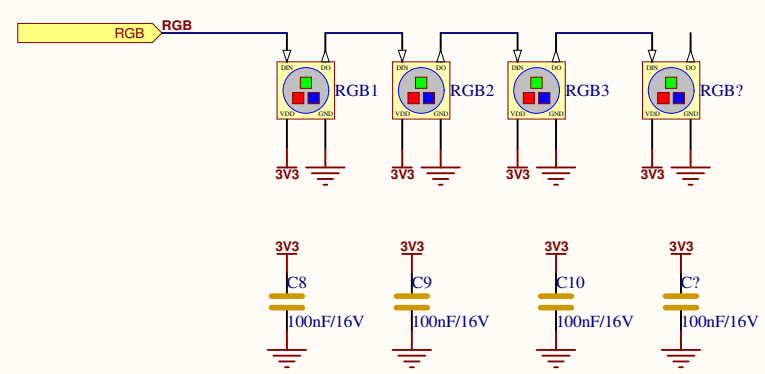
B

C

C

D

D



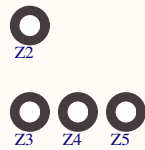
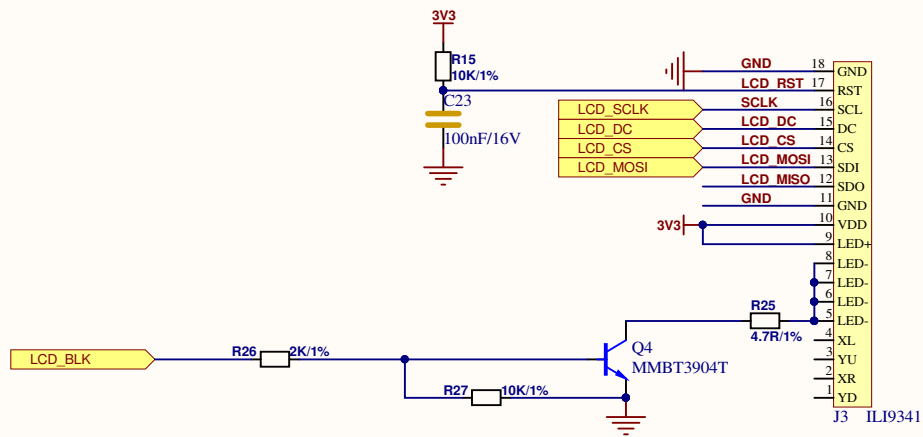
Title: Peripheral	Code:
Drawn: lfwag-CD	Revision: V1.0
Page: 4 of 11	Date: 2025/2/13
	Size: A4
	Time: 13:41:19

1

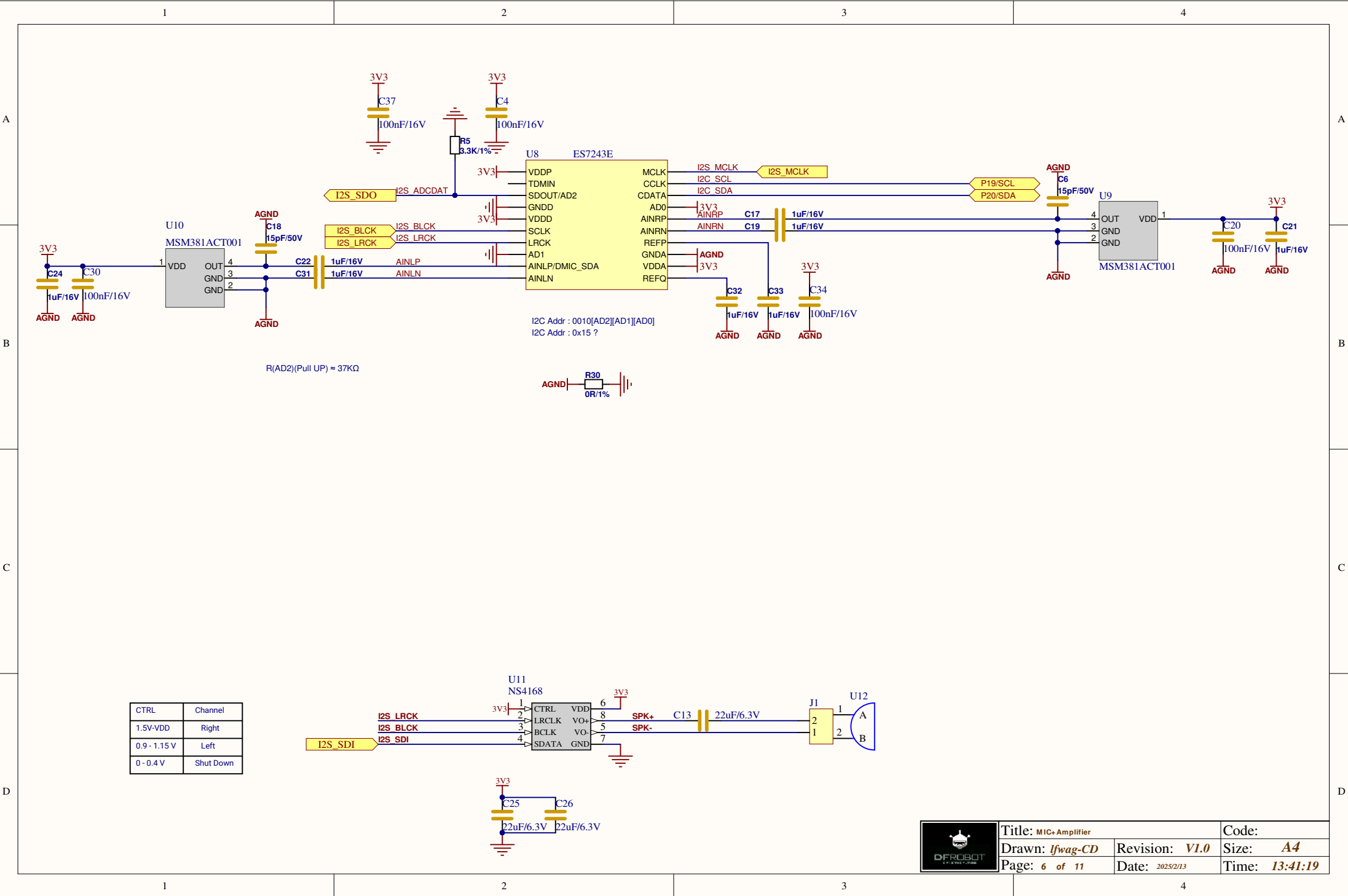
2

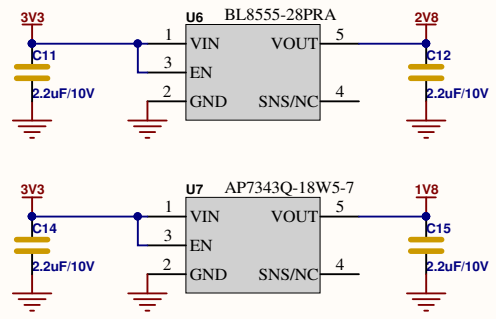
3

4

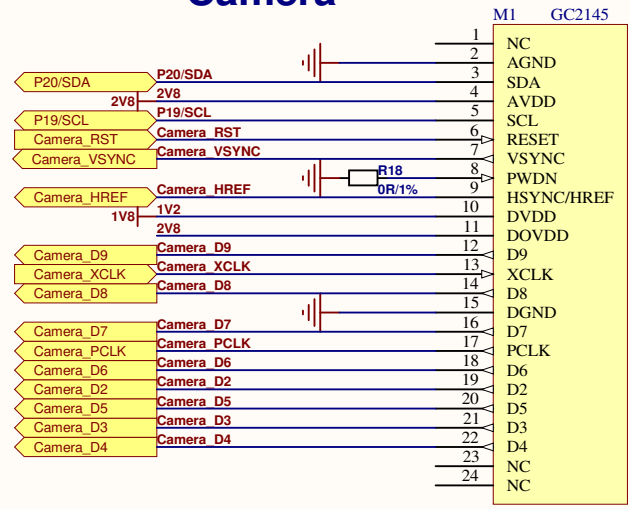


Title: LCD	Code:
Drawn: lfwag-CD	Revision: V1.0
Page: 5 of 11	Date: 2025/2/13
Size: A4	Time: 13:41:19





Camera



Title: Camera	Code:
Drawn: lfwag-CD	Revision: V1.0
Page: 7 of 11	Date: 2025/2/13
Size: A4	Time: 13:41:19

1

2

3

4

A

A

B

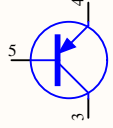
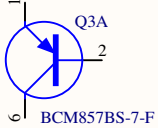
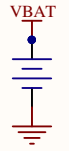
B

C

C

D

D



Title: Power	Code:
Drawn: lfwag-CD	Revision: V1.0
Page: 8 of 11	Date: 2025/2/13
Size: A4	Time: 13:41:19

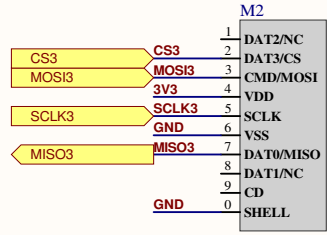
1

2

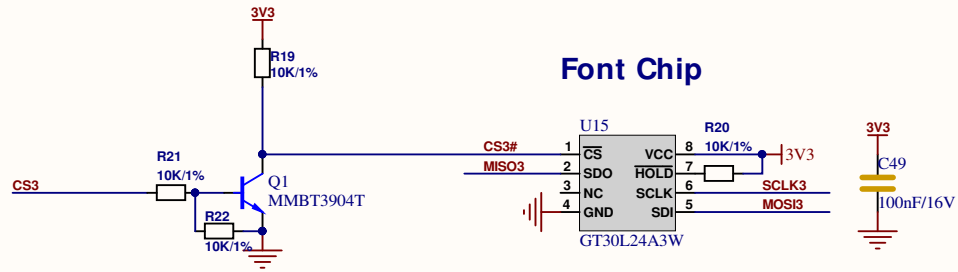
3

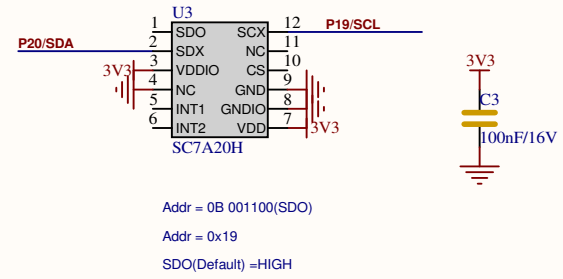
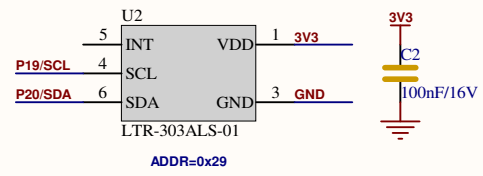
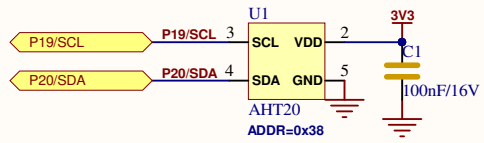
4

SD

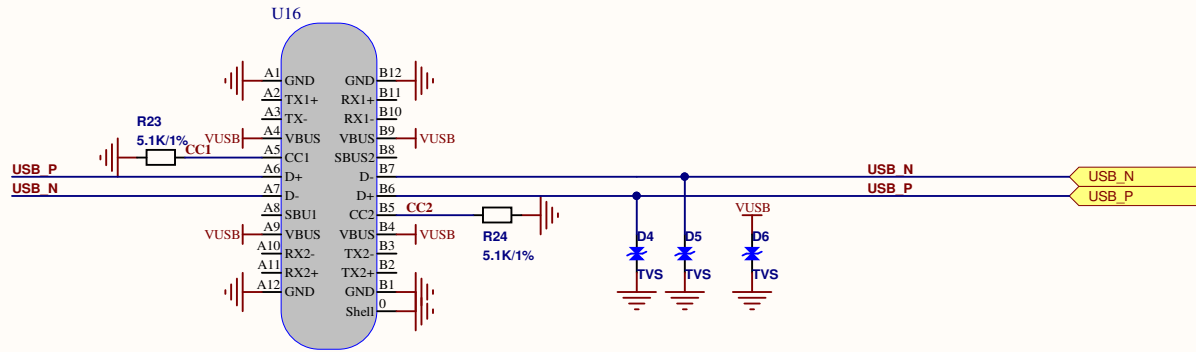


Font Chip





Title: I2C slave	Code:
Drawn: lfwag-CD	Revision: V1.0
Page: 10 of 11	Date: 2025/2/13
Size: A4	Time: 13:41:19



Title: usb	Code:
Drawn: lfwag-CD	Revision: V1.0
Page: 11 of 11	Date: 2025/2/13
Size: A4	Time: 13:41:19